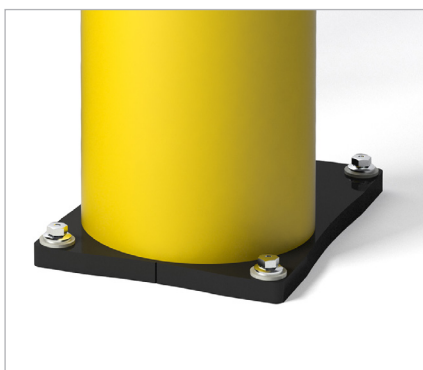




# BO SUPER BOPLAN BOLLARD SUPER SPECIFICATION SHEET

Revision: 10 August 2021 4:04 PM  
Boplan reference: B0250




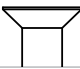

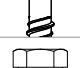

## PRODUCT SPECIFICATIONS

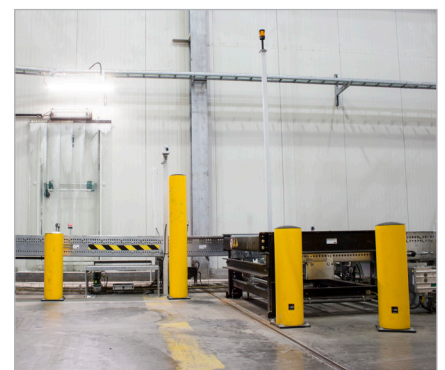
| APPLICATION                          |  |                                      |
|--------------------------------------|--|--------------------------------------|
| Environment                          | The BO Super is the strongest within FLEX IMPACT® bollards. It is a protective posts for frequent collisions with heavy vehicles. With its 20mm thick steel baseplate, and outer diameter of 250mm, it is the ideal protection for gates, access ways, corners & machines. |                                      |
| Impact performance at 90° (in JOULE) | POST: 7200 Joule (Eq. to 5,0 ton - 6,1 km/h)   |                                      |
| MATERIAL                             |  |                                      |
| Tubes                                | Polyolefin - UV resistant - Fire class E <sup>+</sup> - Non conductive - Impervious to most chemicals <sup>**</sup>  |                                      |
| Cap                                  | SEBS rubber  |                                      |
| COLORS                               |  |                                      |
|                                      | Standard: Yellow<br>Also available in black and grey (multicolor)<br>Also available with stripes   |                                      |
| BASEPLATES                           |  |                                      |
|                                      | Zinc Coated Steel<br>Non - countersunk   | Stainless steel<br>Non - countersunk |
| Material                             | Steel 37   | SS 304                               |
| Coating                              | Lacquered + electro plating  | No lacquer / No coating              |
| Color                                | Matt black   | Natural color                        |

\*Classification according to EN 13501-1:2007 +A1:2009 - Fire classification of construction products and building elements.

\*\*Ask your local sales office for resistance to specific chemicals.

## FIXATIONS

|              |                       | ZC (Zinc coated)   | SS (Stainless steel)         |
|--------------|-----------------------|--|------------------------------|
| STANDARD     | Wedge anchor          |  Ø20mm (M12) x 120mm            | Ø20mm (M12) x 120mm          |
|              | Countersunk anchor    |  Not available                  | Not available                |
| ALTERNATIVES | Anchor rod (Chemical) |  M16 x 120mm + Chemical resin   | M16 x 120mm + Chemical resin |
|              | Concrete screw        |  Ø17mm x 135mm                  | Not available                |
|              | Asphalt anchor        |  Bolt M16 x 100mm + Screw Ø22mm | Not available                |

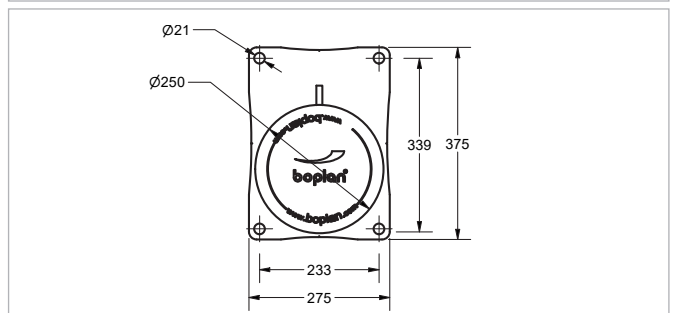
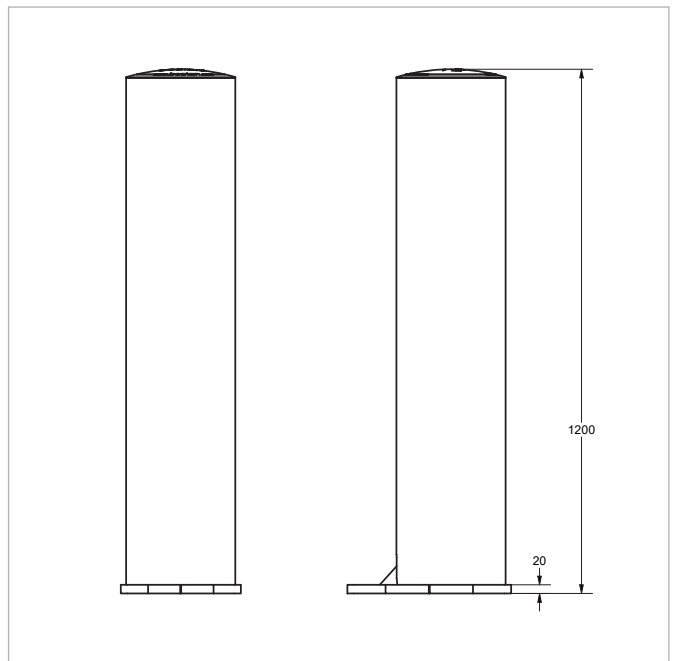


## FEATURES AND FUNCTIONALITY

| SIZE            |   |
|-----------------|---|
| Height          | 450 mm<br>550 mm<br>600 mm<br>750 mm<br>1000 mm<br>1200 mm<br>450 mm - 2500 mm  |
| Profile section | Outer tube: Ø250 mm (11 mm thick)<br>Inner profile: 112 mm x 112 mm (10 mm thick)<br>Impact foam (between Outer tube and Inner profile) |
| Baseplate       | 375 mm x 275 mm (20 mm thick)   |

| REQUIREMENTS                              |   |
|---|---|
| Concrete quality                          | minimum C25/30  |
| Concrete floor plate thickness (mm)       | minimum 150 mm  |
| Concrete slab dimension around posts (mm) | 800 (h) x 800 (w) x 600 (d)   |
| Operational temperature                   | -10°C up to +40°C   |
| Water and humidity                        | <b>Zinc coated:</b> Indoor and outdoor use in most environments.<br><b>Stainless Steel:</b> outdoor use or frequent exposure to water and humidity. |

| IMPACT LABEL FOR SAFETY BARRIERS   |   |   |
|--|---|---|
| BOPLAN BO SUPER  |   |   |
| IMPACT RATING  | 45°   | 90°<br>PAS 13:2017 compliant  |
| E80 < 80 kJ  |   |   |
| E60 < 60 kJ  |   |   |
| E50 < 50 kJ  |   |   |
| E40 < 40 kJ  |   |   |
| E35 < 35 kJ  |   |   |
| E30 < 30 kJ  |   |   |
| E25 < 25 kJ  |   |   |
| E20 < 20 kJ  |   |   |
| E15 < 15 kJ  | 10 kJ   |   |
| E10 < 10 kJ  |   | 7,2 kJ  |
| E5 < 5,0 kJ  |   |   |
| E2 < 2,5 kJ  |   |   |
| <b>TEST CONDITIONS</b><br>TEMPERATURE: 20°C<br>IMPACT HEIGHT: 300 mm<br>IMPACT ANGLE: 90°<br>TEST FLOOR: CONCRETE C25/30 - 160 mm<br>MANUFACTURER ANCHOR PULL OUT: 17 kN | <b>TEST VEHICLE</b><br>WEIGHT: 2300 KG<br>TYPE: COMMERCIAL FORK LIFT<br>SIZE (L x W x h): 1890 x 1020 x 1970 mm<br>CONTACT AREA- STEEL BUMPER WIDTH: 600 mm | <b>ACCREDITED TEST LABORATORY</b><br>620 Route des Fromentaux<br>01500 Saint-Maurice-de-Rémens<br>01360 Beligneux<br>France |
| <b>SUCCESS CRITERIA</b> VEHICLE STOPPED - ASI (ACCELERATION SEVERITY INDEX) < 0.5  |   |   |



## REFERENCE LIST - BOLLARD SUPER

|                | ZINC COATED (ZC)<br>Non - countersunk |                     | STAINLESS STEEL (SS)<br>Non - countersunk |                     |
|----------------|---------------------------------------|---------------------|---|---------------------|
|                | YELLOW                                | MULTICOLOR          | YELLOW                                    | MULTICOLOR          |
|                | 450 mm                                | B02500-0450-0001YEZ | B02500-0450-0001MCZ                       | B02500-0450-0001YES |
| 600 mm         | B02500-0600-0001YEZ                   | B02500-0600-0001MCZ | B02500-0600-0001YES                       | B02500-0600-0001MCS |
| 750 mm         | B02500-0750-0001YEZ                   | B02500-0750-0001MCZ | B02500-0750-0001YES                       | B02500-0750-0001MCS |
| 1000 mm        | B02500-1000-0001YEZ                   | B02500-1000-0001MCZ | B02500-1000-0001YES                       | B02500-1000-0001MCS |
| 1200 mm        | <u>B02500-1200-0001YEZ</u>            | B02500-1200-0001MCZ | B02500-1200-0001YES                       | B02500-1200-0001MCS |
| 550 - 1200 mm  | B02501-1200-0001YEZ                   | B02501-1200-0001MCZ | B02501-1200-0001YES                       | B02501-1200-0001MCS |
| 1201 - 1525 mm | B02501-1525-0001YEZ                   | B02501-1525-0001MCZ | B02501-1525-0001YES                       | B02501-1525-0001MCS |
| 1600 - 2000 mm | B02501-2000-0001YEZ                   | B02501-2000-0001MCZ | B02501-2000-0001YES                       | B02501-2000-0001MCS |
| 2100 - 2500 mm | B02501-2500-0001YEZ                   | B02501-2500-0001MCZ | B02501-2500-0001YES                       | B02501-2500-0001MCS |

### STRIPES

|           | Black  | White   | Yellow  |
|-----------|--|---|---|
| 1 STRIPE  | PA0300-0250-0001BL   | PA0300-0250-0001WH  | PA0300-0250-0001YE  |
| 2 STRIPES | PA0300-0250-0002BL   | PA0300-0250-0002WH  | PA0300-0250-0002YE  |
| 3 STRIPES | PA0300-0250-0003BL   | PA0300-0250-0003WH  | PA0300-0250-0003YE  |
|           |  |  |  |