

# SG SWING GATE BOPLAN SAFETY GATES SPECIFICATION SHEET

Revision: 29 May 2020 4:16 PM  
Boplan reference: SG11..-

## PRODUCT SPECIFICATIONS

### APPLICATION

Environment	Industrial self closing gate to close off walkways Indoor use and outdoor use
Features	Robust, impact-resistant components Smooth rounded design to prevent injuries such as bruises or cuts Fully made of polymer Hinge, springs and screws all zinc coated or stainless steel (SS 304) Integrated sign board Turns open in both directions When opened over more than 90°, the gate remains open. Range of standard lengths available UV resistant Durable, made for intensive use (Positively tested up to 100.000 cycles)
Advisory speed	Not intended for vehicle impact.


### MATERIAL

Main gate components	Polymer - UV resistant - Fire class HB* - Non conductive - Impervious to most chemical products**
Fixations and springs	Zinc coated and stainless steel (SS 304) version available

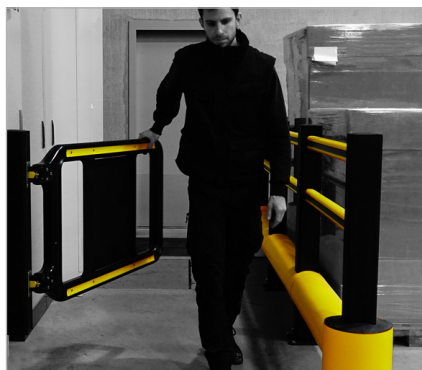
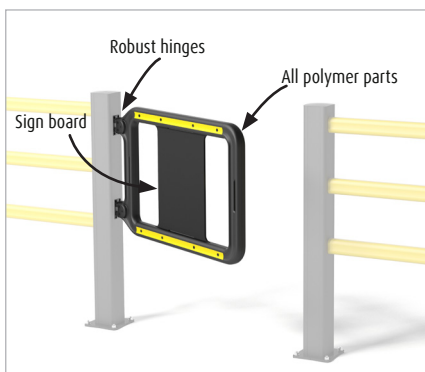
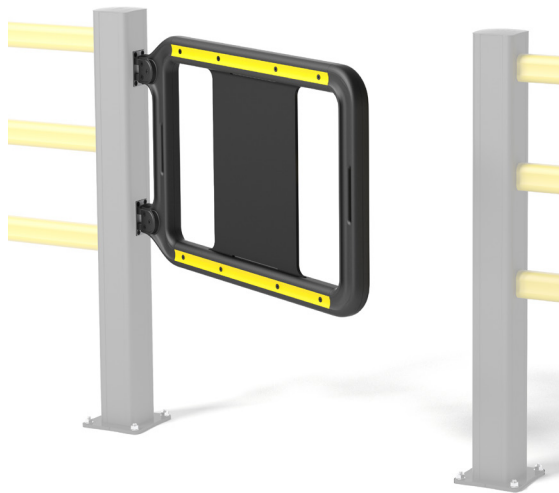
### STANDARD COLORS

Gate rails	Black / yellow
Sign board	Black

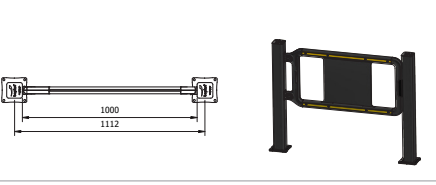
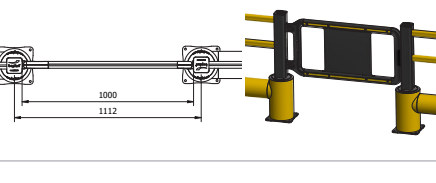
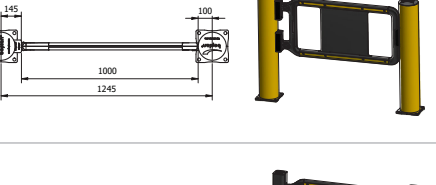
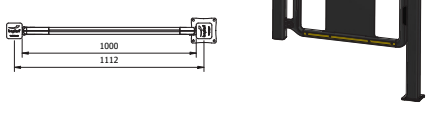
### FIXATIONS (included)

To fix hinge (on a FLEX IMPACT® post)	Bolts: M6x40mm (8x)	
---	---------------------	---



\*Fire class HB = Slow burning; classification according to UL94: US Standard for Safety of Flammability of Plastics  
\*\*Ask your local sales office for resistance to specific chemicals.



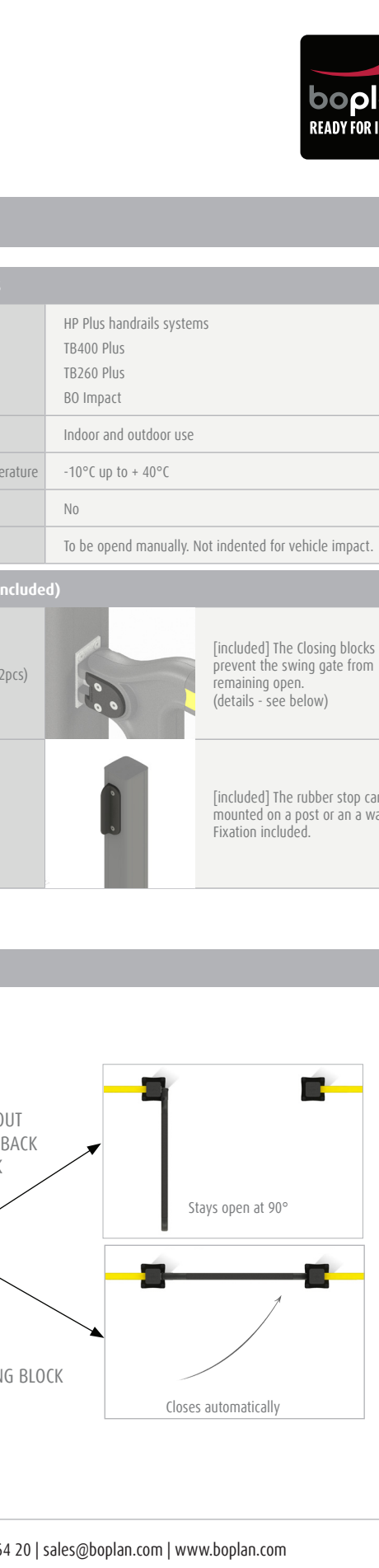
## FEATURES AND FUNCTIONALITY

ATTACH TO	
HP plus - posts	
TB400 Plus TB260 Plus	
Bollard impact	
HP plus - wall mount	

REQUIREMENTS	
Compatible	HP Plus handrails systems TB400 Plus TB260 Plus BO Impact
Environment	Indoor and outdoor use
Operational temperature	-10°C up to + 40°C
Food proof	No
Use	To be opened manually. Not intended for vehicle impact.

ACCESSORIES (included)		
Push back block (2pcs)		[included] The Closing blocks prevent the swing gate from remaining open. (details - see below)
Gate stop rubber		[included] The rubber stop can be mounted on a post or on a wall. Fixation included.

## PUSH BACK BLOCK



2 pcs

WITHOUT PUSH BACK BLOCK

Stays open at 90°

Open to 90°

WITH CLOSING BLOCK

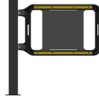
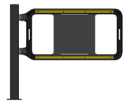
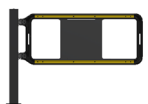
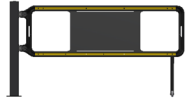
Closes automatically

**Boplan bv Head Office** | Muizelstraat 12, 8560 Moorsele, Belgium | +32 56 20 64 20 | sales@boplan.com | www.boplan.com


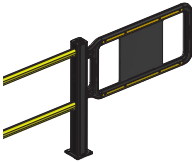
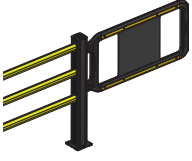
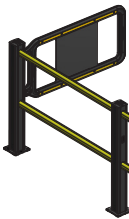

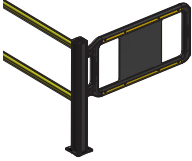
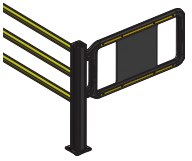
DISCLAIMER: ALL PRODUCT SPECIFICATIONS AND DATA ARE SUBJECT TO CHANGE WITHOUT NOTICE TO IMPROVE RELIABILITY, FUNCTION OR DESIGN OR OTHERWISE.  
© Boplan, the Boplan logo, Flex Impact and RackBull are trademarks of Boplan bv. All other trademarks are property of their respective owners.

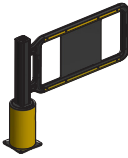
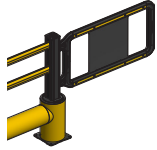
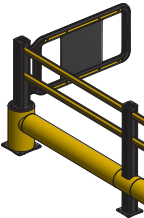
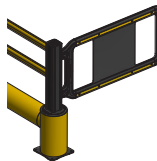
**REFERENCES - SWING GATE**


	Zinc coated	Stainless steel	
700mm	SG1100-0700-0001BYZC	SG1100-0700-0001BYSS	 Post NOT included
800mm	SG1100-0800-0001BYZC	SG1100-0800-0001BYSS	 Post NOT included
900mm	SG1100-0900-0001BYZC	SG1100-0900-0001BYSS	 Post NOT included

	Zinc coated	Stainless steel	
1000mm	SG1100-1000-0001BYZC	SG1100-1000-0001BYSS	 Post NOT included
1250mm	SG1100-1250-0001BYZC	SG1100-1250-0001BYSS	 Post NOT included
1500 mm	SG1100-1500-0001BYZC	SG1100-1500-0001BYSS	 Post NOT included
2000 mm + guiding roller	SG1100-2000-0001BYZC	SG1100-2000-0001BYSS	 Post NOT included

	Zinc coated	Stainless steel	
701 - 999mm Black/Yellow	SG1101-0999-0001BYZC	SG1101-0999-0001BYSS	 Post NOT included
1001 - 1499mm Black/Yellow	SG1101-1499-0001BYZC	SG1101-1499-0001BYSS	 Post NOT included
1501 - 1999 mm Black/Yellow + guiding roller	SG1101-1999-0001BYZC	SG1101-1999-0001BYSS	 Post NOT included

REFERENCES - SWING GATE - HP POST		
SG1199-0001-BPBL SG1199-0001-BPBLS SG1199-0001-BPBLZ	SG post HP - Blank - BL SG post HP - Blank - BL - SS SG post HP - Blank - BL - ZC	
SG1199-0001-C2BL SG1199-0001-C2BLS SG1199-0001-C2BLZ	SG post HP - Cont.2R - BL SG post HP - Cont.2R - BL - SS SG post HP - Cont.2R - BL - ZC	
SG1199-0001-C3BL SG1199-0001-C3BLS SG1199-0001-C3BLZ	SG post HP - Cont.3R - BL SG post HP - Cont.3R - BL - SS SG post HP - Cont.3R - BL - ZC	
SG1199-0090-SGD2BL SG1199-0090-SGD2BLS SG1199-0090-SGD2BLZ	SG post HP - 90° Down (2R) - BL SG post HP - 90° Down (2R) - BL - SS SG post HP - 90° Down (2R) - BL - ZC	
SG1199-0090-SGD3BL SG1199-0090-SGD3BLS SG1199-0090-SGD3BLZ	SG post HP - 90° Down (3R) - BL SG post HP - 90° Down (3R) - BL - SS SG post HP - 90° Down (3R) - BL - ZC	
SG1199-0090-SGU2BL SG1199-0090-SGU2BLS SG1199-0090-SGU2BLZ	SG post HP - 90° Up (2R) - BL SG post HP - 90° Up (2R) - BL - SS SG post HP - 90° Up (2R) - BL - ZC	
SG1199-0090-SGU3BL SG1199-0090-SGU3BLS SG1199-0090-SGU3BLZ	SG post HP - 90° Up (3R) - BL SG post HP - 90° Up (3R) - BL - SS SG post HP - 90° Up (3R) - BL - ZC	

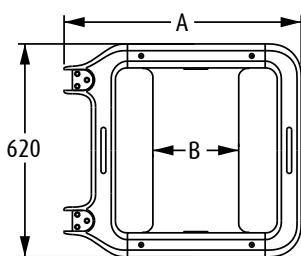
REFERENCES - SWING GATE - TB400 PLUS POST		
SG1299-0001-SGBPYE SG1299-0001-SGBPYES SG1299-0001-SGBPYEZ	SG post TB400 Plus - Blank - YE SG post TB400 Plus - Blank - YE - SS SG post TB400 Plus - Blank - YE - ZC	
SG1299-0001-SGC2YE SG1299-0001-SGC2YES SG1299-0001-SGC2YEZ	SG post TB400 Plus - Continu TB - YE SG post TB400 Plus - Continu TB - YE - SS SG post TB400 Plus - Continu TB - YE - ZC	
SG1299-0090-SGD2YE SG1299-0090-SGD2YES SG1299-0090-SGD2YEZ	SG post TB400 Plus - 90° Down TB - YE SG post TB400 Plus - 90° Down TB - YE - SS SG post TB400 Plus - 90° Down TB - YE - ZC	
SG1299-0090-SGU2YE SG1299-0090-SGU2YES SG1299-0090-SGU2YEZ	SG post TB400 Plus - 90° Up TB - YE SG post TB400 Plus - 90° Up TB - YE - SS SG post TB400 Plus - 90° Up TB - YE - ZC	

REFERENCES - SWING GATE - HP POST - WALL MOUNT		
SG1699-0750-WMHPBL	SG post HP - Wall mounted - 750mm - BL	

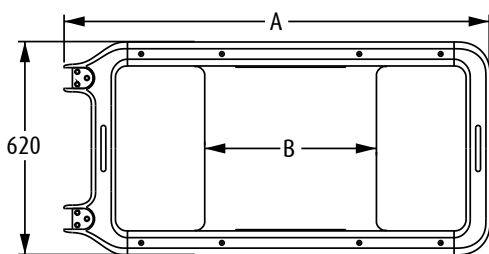
REFERENCES - SWING GATE - TB260 PLUS POST	
SG1299-0002-SGBPYE SG1299-0002-SGBPYES SG1299-0002-SGBPYEZ	SG post TB260 Plus - Blank - YE SG post TB260 Plus - Blank - YE - SS SG post TB260 Plus - Blank - YE - ZC 
SG1299-0002-SGC2YE SG1299-0002-SGC2YES SG1299-0002-SGC2YEZ	SG post TB260 Plus - Continu TB - YE SG post TB260 Plus - Continu TB - YE - SS SG post TB260 Plus - Continu TB - YE - ZC 
SG1299-0092-SGD2YE SG1299-0092-SGD2YES SG1299-0092-SGD2YEZ	SG post TB260 Plus - 90° Down TB - YE SG post TB260 Plus - 90° Down TB - YE - SS SG post TB260 Plus - 90° Down TB - YE - ZC 
SG1299-0092-SGU2YE SG1299-0092-SGU2YES SG1299-0092-SGU2YEZ	SG post TB260 Plus - 90° Up TB - YE SG post TB260 Plus - 90° Up TB - YE - SS SG post TB260 Plus - 90° Up TB - YE - ZC 

REFERENCES - SWING GATE - SPARE PARTS	
SG0109-0002-PBBL	SG Push back block (2 pieces) - BL 
SG9901-0001-PWMBL	Gate stop - BL Post/Wall mounted SEBS (SS fixations included) 
SG1109-0001-GRBLZC SG1109-0001-GRSS	Guiding roller - BL - ZC Guiding roller - SS 
SG1109-0001-ERBLZC SG1109-0001-ERBLSS	End Connection (Fixations ZC) End Connection (Fixations SS) 
SG1109-0001-HRBLZC SG1109-0001-HRBLSS	Hinge Connection (Fixations ZC) Hinge Connection (Fixations SS) 
PA0600-0000-0002 PA0600-0000-0012	Hinge (1pcs) for SG up to 1500 mm - ZC Hinge (1pcs) for SG up to 1500 mm - SS 
PA0600-0000-0003 PA0600-0000-0013	Hinge (1pcs) for SG >1500mm - ZC Hinge (1pcs) for SG >1500mm - SS 

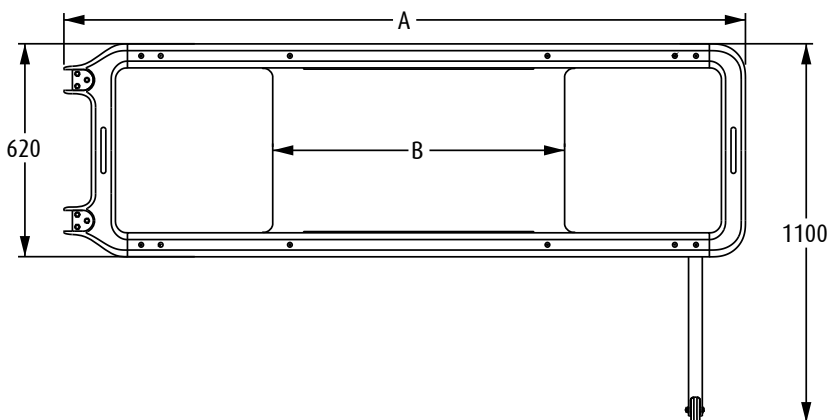
TECHNICAL DRAWINGS



Gate opening (A)	board size (B)
700 mm	250 mm
800 mm	
900 mm	
701-999 mm	



Gate opening (A)	board size (B)
1000 mm	500 mm
1250 mm	
1500 mm	
1001-1499 mm	



Gate opening (A)	board size (B)
2000 mm	850 mm
1501-1999	