

GOAL POST 250 BOPLAN FLEX IMPACT SPECIFICATION SHEET

Revision: 20 December 2018 4:38 PM

Boplan reference: GP...

PRODUCT SPECIFICATIONS

APPLICATION

Protection	Cost effective solution for the protection of gates, canopies and bridges from collisions with high vehicles, such as elevated work platforms, trucks and buses.	
Advisory speed	6.0 km/h	For gross weight vehicle of 2500 kg
	4.5 km/h	For gross weight vehicle of 5000 kg

MATERIAL

Posts and rails	Polyolefin - UV resistant - Fire class HB [*] - Non conductive - Impervious to most chemical products ^{**}	
-----------------	--	--

STANDARD COLORS

Posts	Yellow	
Top rail	Yellow	
Touch barrier	Yellow	

BASEPLATES

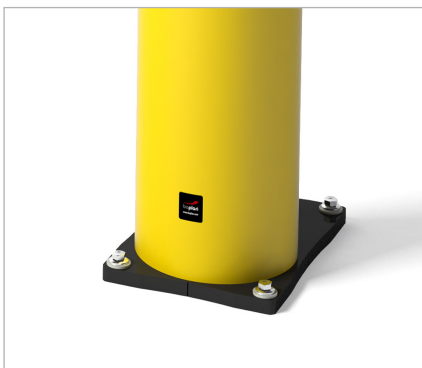
	Zinc Coated Steel	Stainless steel
Material	Steel 37	INOX (RVS 304)
Coating	Lacquered + electro plating	No lacquer / No coating
Color	Matt black	Natural color

FIXATIONS

	ZINC COATED	INOX
HEAVY DUTY EXPANSION ANCHOR 	Length = 120 mm Size = M12 Drill hole diameter = 20 mm Max load (pull out) = 17 kN	Length = 120 mm Size = M12 Drill hole diameter = 20 mm Max load (pull out) = 10.7 kN
THREADED ROD (WITH CHEMICAL ANCHOR) 	Length = 120 mm Size = M16 Drill hole diameter = 18 mm Max load (pull out) = 20 kN	Length = 120 mm Size = M16 Drill hole diameter = 18 mm Max load (pull out) = 20 kN

*Fire class HB = Slow burning; classification according to UL94: US Standard for Safety of Flammability of Plastics

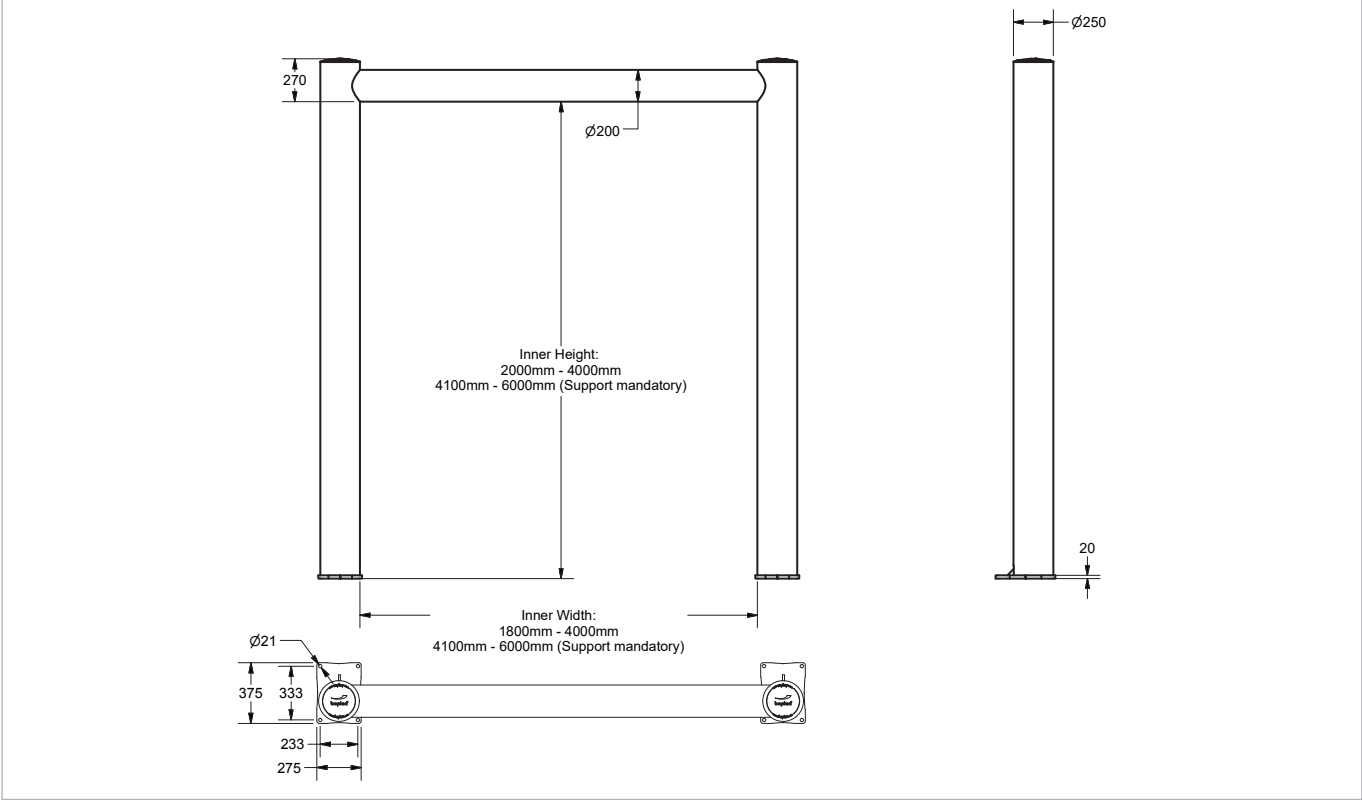
**Ask your local sales office for resistance to specific chemicals.



FEATURES AND FUNCTIONALITY - GOAL POST 250

SIZE		
Inner Height	min. 2000 - max. 6000 mm	
Inner Width	min. 1800 - max. 6000 mm	
Vertical frame post	Outer tube: Ø250 mm (11 mm thick) Inner profile: 112 mm x 112 mm (10 mm thick)	
Horizontal top rail	Ø200 mm (11 mm thick)	
Touch barrier (optional)	Ø125 mm (10 mm thick)	
Baseplate	275 mm x 375 mm (20 mm thick)	
IMPACT PERFORMANCE		
Test conditions	Ambient temperature Height bollard Fork lift weight Floor Success criteria	20°C 1200mm 2300kg Industrial concrete Fork lift stopped
90° impact	Maximum impact	7200 Joule
45° impact	Maximum impact	10000 Joule

REQUIREMENTS	
Concrete quality	minimum C25/30
Concrete floor plate thickness (mm)	minimum 150 mm
Concrete slab dimension around posts (mm)	1000 (h) x 1000 (w) x 600 (d)
Operational temperature	-10°C up to +40°C (For applications at lower temperatures, contact your local sales department)
Water and humidity	Steel (standard): dry indoor use only. Zinc coated: outdoor use in most environments. RVS: outdoor use or frequent exposure to water and humidity.
When higher than 4 meters	(wall) support needed
When wider than 4 meters	(wall) support needed

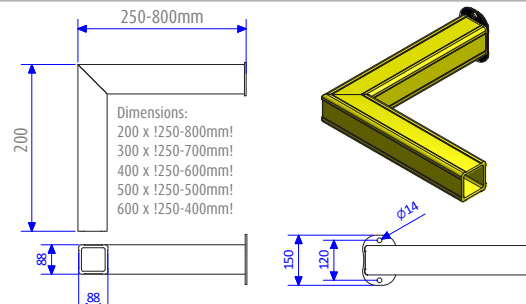
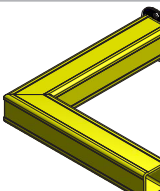
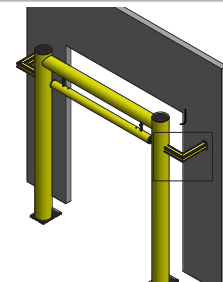
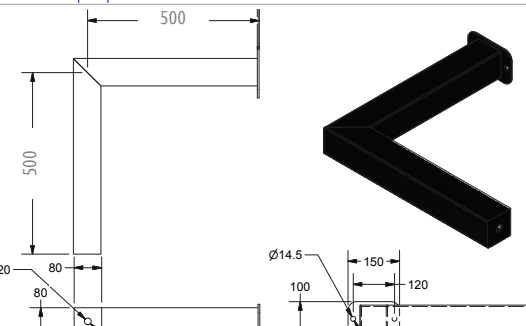

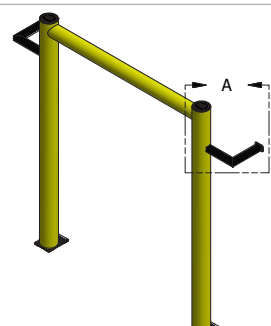
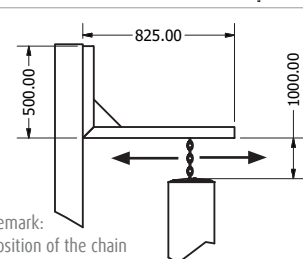
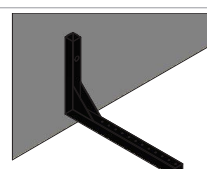


REFERENCE LIST - GOAL POST 250

POSTS	
Bollard post - 2000-3000mm SS Bollard post - 2000-3000mm ZC	GP2501-3000-S200YES GP2501-3000-S200YEZ
Bollard post - 3100-4000mm SS Bollard post - 3100-4000mm ZC	GP2501-4000-S200YES GP2501-4000-S200YEZ
Bollard post - 4100-6000mm SS Bollard post - 4100-6000mm ZC (support needed)	GP2501-6000-S200YES GP2501-6000-S200YEZ

TOP RAIL	
Top rail - 1800-2500mm	GP2501-2500-TR00YE
Top rail - 2600-4000mm	GP2501-4000-TR00YE
Top rail - L 4100-6000mm (support needed)	GP2501-6000-TR00YE
TOUCH BARRIER	
Touch barrier - 1800-2500mm	GP1251-2500-TB00YE
Touch barrier - 2600-4000mm	GP1251-4000-TB00YE
Touch barrier - 4100-6000mm	GP1251-6000-TB00YE

SUPPORT

Wall connection plastic system Yellow	GP88-0200-0800-WCYE GP88-0300-0700-WCYE GP88-0400-0600-WCYE GP88-0500-0500-WCYE GP88-0600-0400-WCYE	 <p>Dimensions: 200 x 1250-800mm! 300 x 1250-700mm! 400 x 1250-600mm! 500 x 1250-500mm! 600 x 1250-400mm!</p>	 
Wall connection metal click system Elbow - 500x500mm Black	GP0080-0500-0500BL		 
Wall connection - for top rail metal with chain	GP0099-0002-WCP0BL	 <p>Remark: Position of the chain can be moved.</p>	 <p>DETAIL A SCALE 1/25</p> 