



Protect your values.

ROKU® AWM II

Collars

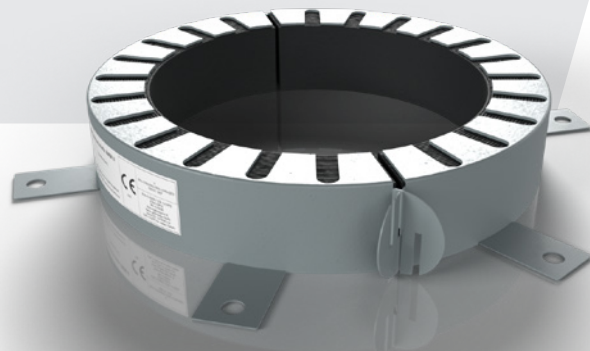
Description

Outside attached fire protection collar consisting of a sheet steel housing with intumescent inlay.

In the event of fire, the intumescent inlay reacts with strong expansion pressure and permanently closes the component opening to prevent the passage of fire and smoke.

Application Areas

- Fire protection collar for use on combustible pipes with and without insulation.
- Suitable for a variety of special pipes and design variants.
- Installation in plasterboard walls, solid walls and solid floors.



Delivery and Packaging

ROKU® AWM II		Qty.
Packaging		
Diameter	Item number	
Ø 32 mm	0705000320	
Ø 40 mm	0705000400	
Ø 50 mm	0705000400	
Ø 63 mm	0705000630	
Ø 75 mm	0705000750	
Ø 90 mm	0705000900	
Ø 110 mm	0705001100	
Ø 125 mm	0705001250	
Ø 140 mm	0705001400	
Ø 160 mm	0705001600	
Ø 180 mm	0705001800	
Ø 200 mm	0705002000	

ROKU® AWM II MAX		Qty.
Packaging		
Diameter	Item number	
Ø 225 mm	0705002250	
Ø 250 mm	0705002500	
Ø 280 mm	0705002800	
Ø 300 mm	0705003000	
Ø 315 mm	0705003150	
Ø 355 mm	0705003550	
Ø 400 mm	0705004000	

Please contact us for further information:

✉ global@svt.de

Orders: order@svt.de

☎ +49 4105-40 90-0



Protect your values.

ROKU® AWM II

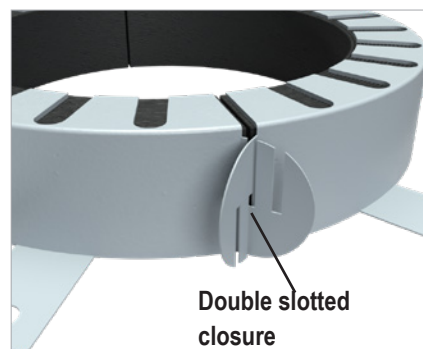
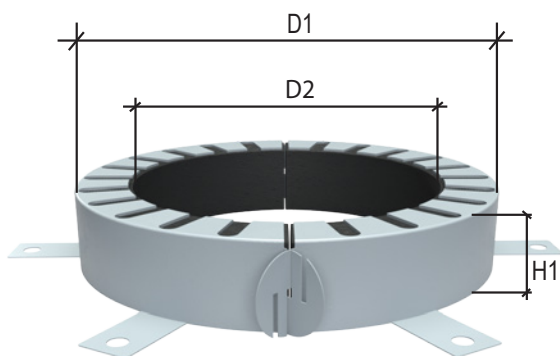
Technical Data

Material	<ul style="list-style-type: none"> • Powder-coated sheet steel housing up to external Ø 200 mm, • Galvanised sheet steel housing from external Ø 225 mm, • Intumescent inlay
Coating	<ul style="list-style-type: none"> • Light grey (housing), • Anthracite (inlay)
Expansion rate	18 to 38 times
Usage category	Type X acc. to EOTA TR024
Storage	Dry indoors.
Safety information	Please note the ROKU® Strip safety data sheet.

Dimensions

Collar size Ø	Internal Ø D2	External Ø D1	Installation height H1	Number of tabs [n]	Size adjustable
32	40	50	26.0	2	✓
40	48	58	26.0	2	
50	57	68	26.0	2	
63	70	94	26.0	4	
75	83	106	26.0	4	
90	100	132	26.6	4	
110	120	155	26.6	4	
125	135	172	40.0	4	
140	152	200	40.0	6	
160	169	220	40.0	6	
180	184	264	40.0	8	-
200	204	284	40.0	8	
225	239	328	51.5	10	
250	264	353	51.5	10	
280	289	378	51.5	12	
315	328	417	51.5	12	
355	370	459	51.5	12	
400	415	504	51.5	12	

All specifications in mm





Protect your values.

ROKU® AWM II

Applications

Penetration seal

	Certification	System name	Fire resistance class
	ETA-11/0208	ROKU® AWM II	max. EI 240 acc. to EN 13501-2
	ETA-17/0753	ROKU® System AWM II – GF	max. EI 120 acc. to EN 13501-2
	ETA-11/0372	ROKU® AWM II KS	
	ETA-15/0014	ROKU® System MFS	
	ETA-16/0952	ROKU® System FPCM Fire Protection Cable Mortar	
	Z-19.53-2369	ROKU® System AWM II	Fire-resistant (90 min.)
	Z-19.15-1286	PYRO-SAFE® Novasit COMBI 90	
	Z-19.53-2329	PYRO-SAFE® Flammotect COMBI 90	
	Z-19.53-2400	PYRO-SAFE® Universal penetration seal COMBI 90	
	10339	Pipe penetration seal for thermoplastic pipes	Fire-resistant (90 min.)
	10933	Pipe penetration seal for thermoplastic pipes (double pipes)	
	20501	ROKU® System AWM II – KS	

Errors, misprints and changes reserved. All of the information corresponds to the state of technology and the version of the standard that existed at the time of printing (12.2021). We will gladly provide you with information on request regarding the legal and technical framework conditions or manufacturer specifications applicable to your individual case. © Copyright svt Unternehmensgruppe, Seevetal. ROKU® is a registered trademark ® of the svt group, Seevetal.