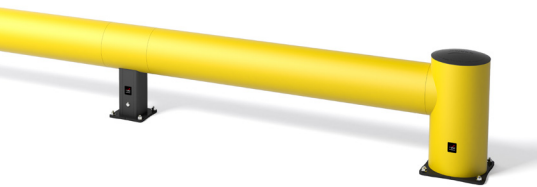




TB400 BOPLAN SAFETY BARRIER SPECIFICATION SHEET

Revision: 3 December 2018 11:49 AM
Boplan reference: TB4000 - ...



PRODUCT SPECIFICATIONS

APPLICATION			
Environment	The TB400 is used for the protecting of walls, machines and infrastructure from pallet trucks, forklifts or other vehicles.		
Advisory speed	9.0 km/h	For gross weight vehicle of 2500 kg	
	6.5 km/h	For gross weight vehicle of 5000 kg	
MATERIAL			
Posts and rails	Polyolefin - UV resistant - Fire class HB* - Non conductive - Impervious to most chemical products**		
STANDARD COLORS			
End post			Yellow
Mid post			Yellow
Tubes (rails)			Yellow
BASEPLATES			
	Steel	Zinc Coated Steel	Stainless steel
Material	Steel 37	Steel 37	INOX (RVS 304)
Coating	Lacquered	Lacquered + electro plating	No Itacquer / No coating
Color	High gloss black	Matt black	Natural color
FIXATIONS			
	ZINC COATED		INOX
EXPANSION ANCHOR 	Length = 120 mm Size = M12 Drill hole diameter = 12 mm Max load (pull out) = 7.9 kN		Length = 120 mm Size = M12 Drill hole diameter = 12 mm Max load (pull out) = 7.9 kN
THREADED ROD (WITH CHEMICAL ANCHOR) 	Length = 120 mm Size = M12 Drill hole diameter = 14 mm Max load (pull out) = 16 kN		Length = 120 mm Size = M12 Drill hole diameter = 14 mm Max load (pull out) = 16 kN

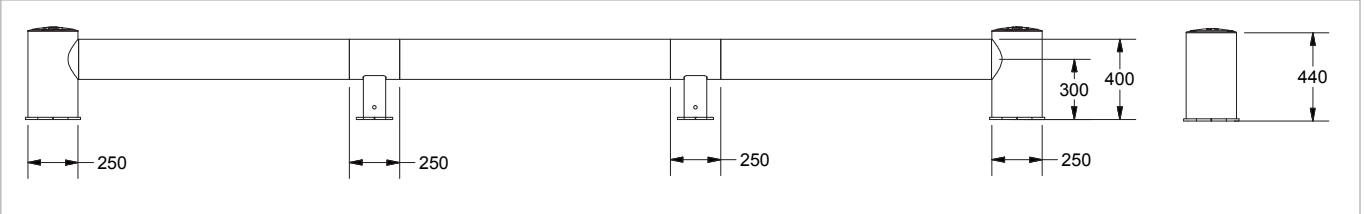
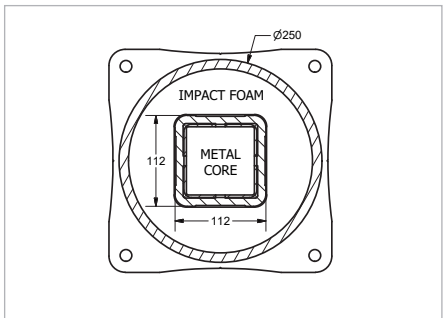
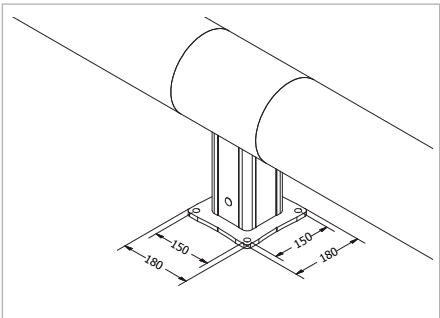
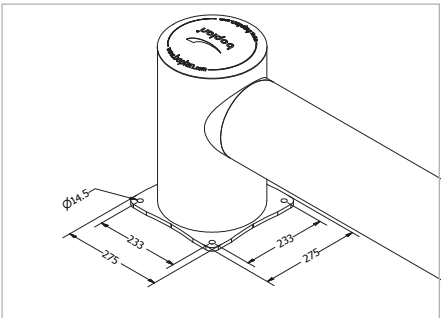
*Fire class HB = Slow burning; classification according to UL94: US Standard for Safety of Flammability of Plastics
**Ask your local sales office for resistance to specific chemicals.



FEATURES AND FUNCTIONALITY TB400

SIZE		
Height end posts	440 mm	
Height mid post	400 mm	
Profile section tubes	Ø200 mm (11 mm thick)	
Profile section end posts	Outer tube: Ø250 mm (11 mm thick) Inner profile: 112 mm x 112 mm (10 mm thick) Impact foam (between outer and inner profile)	
Profile section mid posts	Profile: 112 mm x 112 mm (10 mm thick)	
Standard rail length	1350 mm (other sizes: 750 mm - 1750 mm)	
Baseplate	End Post: 275 mm x 275 mm (10 mm thick) Mid Post: 180 mm x 180 mm (10 mm thick)	
IMPACT PERFORMANCE		
Test conditions	Ambient temperature Tube length Fork lift weight Floor Success criteria	20°C 1600mm (center - center) 2300kg Industrial concrete Fork lift stopped by barrier
90° impact	Maximum impact on post	16100 Joule
	Maximum impact on tube	20100 Joule
45° impact	Maximum impact on tube	28400 Joule

REQUIREMENTS	
Concrete quality	minimum C25/30
Concrete floor plate thickness (mm)	minimum 150 mm
Concrete slab dimension around posts (mm)	600 (h) x 600 (w) x 500 (d)
Operational temperature	-10°C up to +40°C
Water and humidity	Steel (standard): dry indoor use only. Zinc coated: outdoor use in most environments. RVS: outdoor use or frequent exposure to water and humidity.



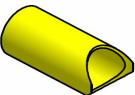
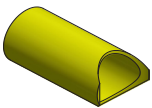
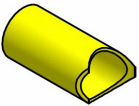
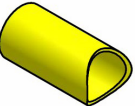
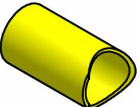
S = Stainless steel (=inox = RVS)
 Z = Zinc coated (=galvanized)
 C = chamfered
 YE = Yellow

CC = Center - Center distance

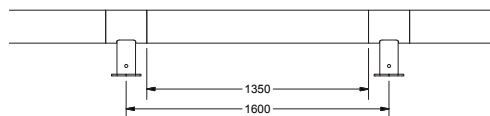


REFERENCE LIST - TB400

POSTS		
End post End post - Stainless steel End post - Zinc coated	TB4000-0001-EPYE TB4000-0001-EPYES TB4000-0001-EPYEZ	
Mid post Mid post - Stainless steel Mid post - Zinc coated	TB4000-0001-MPYE TB4000-0001-MPYES TB4000-0001-MPYEZ	

CURVES		
Conn.tube Ø200 Curve 350mm - YE	TB4000-0350-C200YE	
Conn.tube Ø200 - 45° Curve 350mm - YE	TB4000-0350-C204YE	
Conn.tube Ø200 - 90° Curve 350mm - YE	TB4000-0350-C209YE	
Conn.tube Ø250 Curve 350mm - YE	TB4000-0350-C250YE	
Conn.tube Ø250 - 90° Curve 350mm - YE	TB4000-0350-C259YE	

RAIL SETS			
	Tube length	CC length	Reference
Standard rail	750 mm	1000 mm	TB4000-0750-1000YE
Standard rail	950 mm	1200 mm	TB4000-0950-1200YE
Standard rail	1150 mm	1400 mm	TB4000-1150-1400YE
Standard rail	1350 mm	1600 mm	TB4000-1350-1600YE
Standard rail	1550 mm	1800 mm*	TB4000-1550-1800YE
Standard rail	1750 mm	2000 mm*	TB4000-1750-2000YE
Short rail	600-1349 mm	850-1599 mm	TB4009-1599-SRYE
Long rail	1351-1749 mm	1601-2000 mm*	TB4009-2000-LRYE



* The impact performance has not been tested for tube lengths > 1600 mm.
 Only use these lengths for non - critical applications.

S = Stainless steel (=inox = RVS)
 Z = Zinc coated (=galvanized)
 C = chamfered
 YE = Yellow



REFERENCE LIST - TB400

FIXED UNITS				
TYPE	LENGTH	YELLOW		
no curves	750 mm	TB4000-0750-FUYE TB4000-0750-FUYES TB4000-0750-FUYEZ		
	751-1750 mm	TB4001-1750-FUYE TB4001-1750-FUYES TB4001-1750-FUYEZ		
1 curve	750 mm	TB4000-0750-FU1CYE TB4000-0750-FU1CYES TB4000-0750-FU1CYEZ + DEFINE CURVE		
	751-1750 mm	TB4001-1750-FU1CYE TB4001-1750-FU1CYES TB4001-1750-FU1CYEZ + DEFINE CURVE		
2 curves	750 mm	TB4000-0750-FU2CYE TB4000-0750-FU2CYES TB4000-0750-FU2CYEZ + DEFINE CURVES		
	751-1750 mm	TB4001-1750-FU2CYE TB4001-1750-FU2CYES TB4001-1750-FU2CYEZ + DEFINE CURVES		